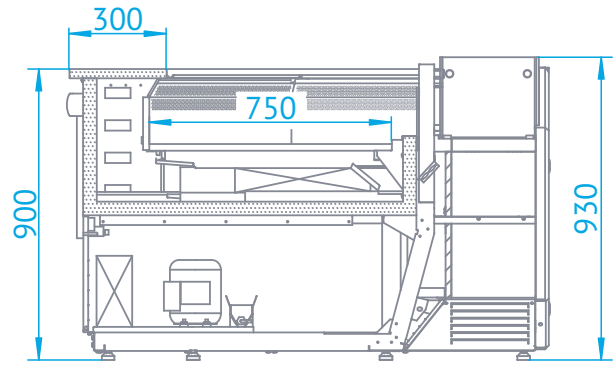


Refrigerated counter L-Xi/NW

Net price: **2 420 EUR**
Net price modul: **2 045 EUR**

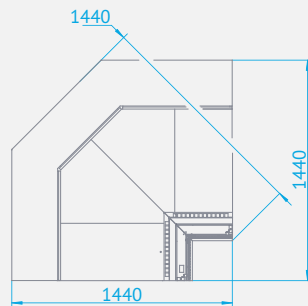
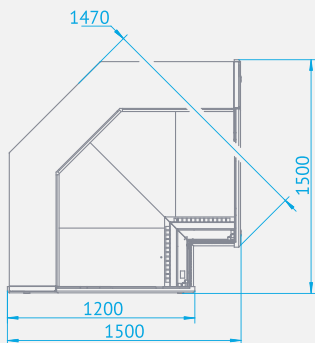


Dimensions [cm]

model counter	L-Xi / NW
counter dimensions	150x150
module dimensions	144x144
depth	120
exposition depth	75
height	93
exposition height	17

Parameters

temperatures range	+1°C ÷ +10°C (3 cl.)
refrigerant (HC)	R-290
rated voltage	230V~ / 50 Hz
rated power	610 W
defrosting	automatic
evaporation of condensate	automatic



Colours

	Standard
front	
housing	
sides	

Standard equipment

Refrigerating unit

- 3rd climatic class
- Plug-in unit powered with ecological R-290 refrigerant
- Fan assisted cooling
- Electronic temperature controller with display, setting range: -3°C ÷ +13°C
- Automatic condensate evaporation system
- Independent glass panes drainage system
- Undemanding tools access to the condenser

Housing

- Sides made of ABS in inoXframe design
- Housing insulated with ecological polyurethane foam
- Housing painted in black colour semi mat RAL 9005 from the RAPA colour chart
- Possibility to connect in longer series lines
- Adjustable legs
- Front panels made of powder-painted steel or furniture board
- Double electric socket from the service side on the right side of the device
- Front finish in 2 versions:
 - with bumpers of grinded stainless steel
 - without bumpers

Exposition

- Internal top made of painted stainless steel
- External top made of glass
- Divided bottom of the exposition made of "mirror" stainless steel (pulled out segments)
- Electronic thermometer on the customer side
- Front glass pane flat, short
- All panes made of tempered glass
- Night covers

Worktop

- Worktop made of grinded stainless steel - width of 30 cm

Additional equipment

Refrigerating unit

- Device without aggregate
- Evaporator protected with cataphoretic coating

Housing

- Order and moutage of double electric socket
- Order counter without double electric socket
- Change the side of double electric socket moutage
 - left side of the device

Exposition

- Exposure partition made of tempered glass
 - permanently fixed

Worktop

- Granite
- "Linen" stainless steel

Accessories

- Cutting board
- Pollen filter
- Cascade made of stainless steel "mirror" pattern of the depth of 37 cm
- Platform on worktop for cashbox or scale made of grinded stainless steel
- Exposure partition made of tempered glass - movable
- Exposure partition made of transparent PMMA - movable

Module

- Side for module
- Side glass - required in series lines